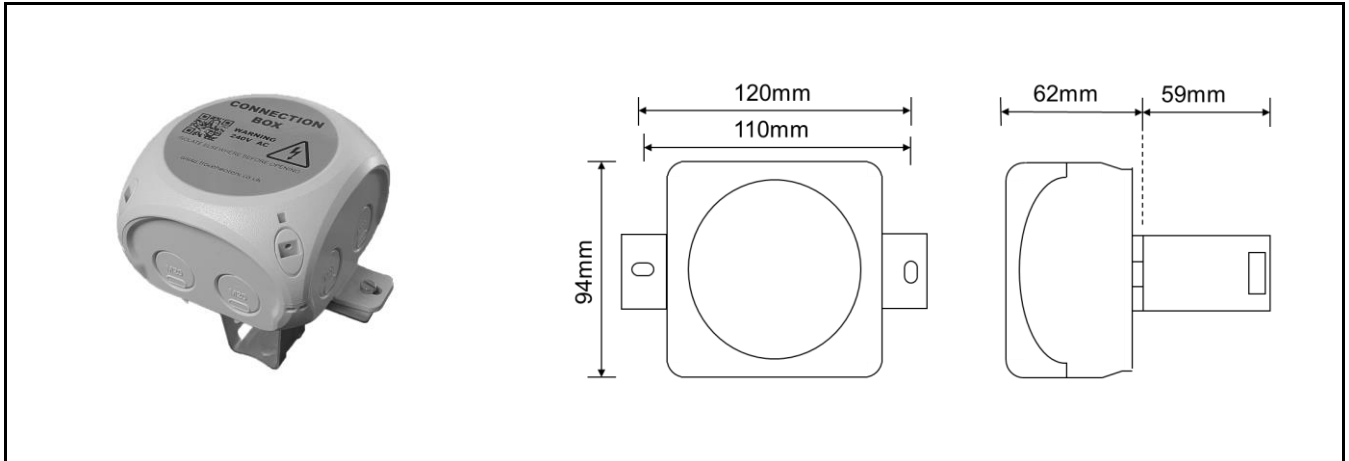


JB420B

Robust and versatile junction box for compact connection of up to four trace heating radials

Power connection box in **SafeWat** HWS temperature maintenance systems

Physical



Application

Area classification	General purpose, external
Contamination compatibility	Mild inorganic corrosives

Interfaces

Ingress protection	IP67
Impact strength	IK08
Lid fastening	Four captive twist cams
Cable entries	20mm four pre-formed knock-outs
Maximum conductor size	Power 2.5mm Signal 1.5mm
Ambient temperature range	-25 to +70°C
Weight	0.24kg
Mounting	Pipe mounting via the fitted bracket Surface mounting via wing screw / bolt holes

Specifications

Form	Solid lid and body with screw rising cage terminals and earth clamp
Construction	Polycarbonate base and lid, stainless steel pipe mounting bracket
Terminals	Two polyamide 6.6 blocks of 4 x rising cage. Each block will common four conductors. One block for Line, one block for Neutral, VDE rated 4mm ² , 34Amp, 500VAC 15mm earth clamp, twin-screw tightened, >34 Amp, 500VAC rated

Option

JB420BVF	Internal volt-free contact for BMS use SPST, 3 Amps
----------	--